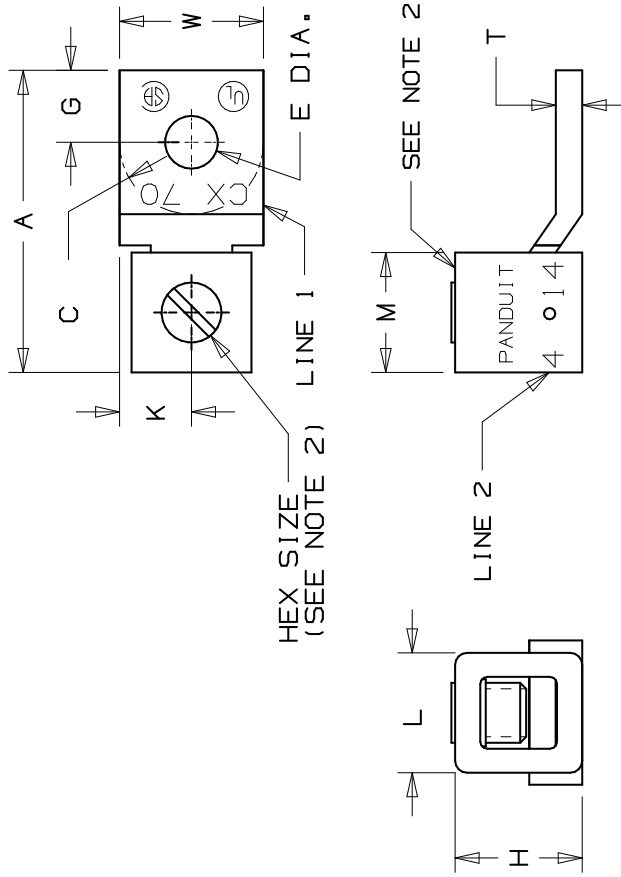


THIS COPY IS PROVIDED ON A RESTRICTED BASIS AND IS NOT TO BE USED IN ANY WAY DETRIMENTAL TO THE INTERESTS OF PANDUIT CORP.

**NOTES:**

- UL LISTED AND CSA CERTIFIED FOR:
  - 600V MAX. VOLTAGE RATING.
  - AMPERAGE LISTED IN TABLE.
- SLOTTED HEAD SCREW USED IF HEX SIZE IS NOT GIVEN.
- PACKAGE QTY. -Q=25  
-C=100  
-D=500
- ADDITIONAL MULTIPLE WIRE COMBINATIONS FOR CX70-14-C ARE:
  - TWO-#14'S
  - TWO-#12'S
- PANDUIT PART NUMBERS WITH A "T" ARE TIN PLATED.
- THESE PARTS ARE ROHS COMPLIANT.



\*PART WEIGHT INCLUDES SCREW AND BODY

**PROFILE OF COLLAR MAY VARY BETWEEN CURVED AND FLAT**

| PANDUIT PART NUMBER | DIMENSIONS ± .02 |      |     |      |      |     |      |     |     |        | MAX. AMPERAGE RATING | MARKINGS |       | HEX SIZE | C (MAX)             | *PART WEIGHT lb (kg) |
|---------------------|------------------|------|-----|------|------|-----|------|-----|-----|--------|----------------------|----------|-------|----------|---------------------|----------------------|
|                     | G                | W    | K   | A    | M    | T   | H    | L   | E   | LINE 1 |                      | LINE 2   |       |          |                     |                      |
| CX35-36-CY          | .22              | .38  | .19 | 1.02 | .38  | .07 | .48  | .35 | .20 | 35     | CX-35                | 6-14     | SCREW | .22      | .020 lb ( .009 kg ) |                      |
| CX35-36-DY          | .22              | .38  | .19 | 1.02 | .38  | .07 | .48  | .35 | .20 | 35     | CX-35                | 6-14     | SCREW | .22      | .020 lb ( .009 kg ) |                      |
| CX35-36T-CY         | .22              | .38  | .19 | 1.02 | .38  | .07 | .48  | .35 | .20 | 35     | CX-35                | 6-14     | SCREW | .22      | .011 lb ( .005 kg ) |                      |
| CX35-36T-DY         | .22              | .38  | .19 | 1.02 | .38  | .07 | .48  | .35 | .20 | 35     | CX-35                | 6-14     | SCREW | .22      | .011 lb ( .005 kg ) |                      |
| CX70-14-CY          | .31              | .50  | .25 | 1.27 | .50  | .08 | .57  | .46 | .27 | 70     | CX-70                | 4-14     | SCREW | .28      | .037 lb ( .017 kg ) |                      |
| CX70-14T-CY         | .31              | .50  | .25 | 1.27 | .50  | .08 | .57  | .46 | .27 | 70     | CX-70                | 4-14     | SCREW | .28      | .016 lb ( .007 kg ) |                      |
| CX125-14-QY         | .43              | .62  | .31 | 1.53 | .62  | .13 | .77  | .57 | .27 | 125    | CX-125               | 1/0-4    | SCREW | .41      | .081 lb ( .037 kg ) |                      |
| CX125-56T-QY        | .43              | .62  | .31 | 1.53 | .62  | .13 | .77  | .57 | .34 | 125    | CX-125               | 1/0-4    | SCREW | .41      | .034 lb ( .015 kg ) |                      |
| CX225-56-QY         | .56              | 1.00 | .50 | 2.19 | 1.00 | .13 | 1.13 | .85 | .34 | 225    | CX-225               | 4/0-2    | 9/16  | .50      | .248 lb ( .112 kg ) |                      |
| CX225-38T-QY        | .56              | 1.00 | .50 | 2.19 | 1.00 | .13 | 1.13 | .85 | .38 | 225    | CX-225               | 4/0-2    | 9/16  | .50      | .075 lb ( .034 kg ) |                      |

| REV | DATE | BY   | CHK  | DESCRIPTION   | ECN #   | CUST | PM | DRAWN BY | CHK'D | SCALE | NONE | DRAWING NO. |
|-----|------|------|------|---|---------|------|----|----------|-------|-------|------|-------------|
| 04  | 8/08 | JHNL | JHNL | REMOVED CX400-38-3Y & CX400-12T-3Y FROM DWG                         |         |      |    |          |       |       |      | C41664_04   |
| 03  | 7/08 | JHNL | JHNL | ADDED P/N'S CX35-36-DY & CX35-36T-DY                                |         |      |    |          |       |       |      |             |
| 02  | 6/08 | JHNL | JHNL | ADDED NOTE FOR VARYING COLLAR SHAPE                                 |         |      |    |          |       |       |      |             |
| 01  | 1/07 | JHNL | JHNL | ADDED PART WEIGHT COLUMN TO TABLE<br>REMOVED CX225-38-QY FROM TABLE | PC00640 |      |    |          |       |       |      |             |
| 00  | 3/06 | JHNL | LEM  | DRAWING RELEASED - ROHS COMPLIANT                                   | PC00348 |      |    |          |       |       |      |             |



TINLEY PARK, ILLINOIS

"CX" SERIES COPPER MECHANICAL LUGS